

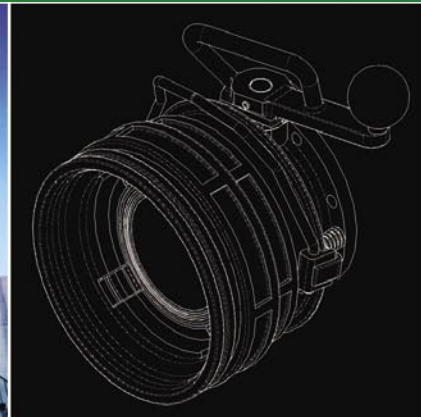


## API700 SERIES

### AUTO LATCHING BOTTOM LOADING COUPLER

#### GENERATION 3

The API700 series of couplers is the third generation of Liquip manufactured API couplers, it provides an effortless automatic connection for a safe and environmentally friendly transfer of product from the loading rack to the truck.



The World's Best API Coupler

ISSUE 6

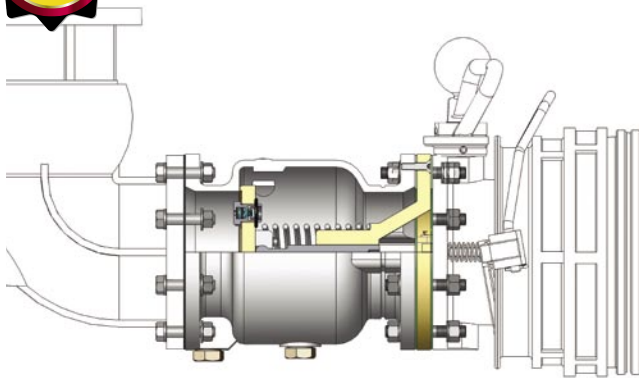
# API700 AUTO LATCHING BOTTOM LOADING COUPLER

## FEATURES & BENEFITS

- Unique stainless steel outer collar and new latching mechanism geometry greatly improve service life of coupler
- Automatic latching mechanism and one touch disconnect ensures effortless operation at all times
- Precision machined latch spindles ensure superior latch alignment resulting in fewer drips at disconnection
- Nose seal and inner poppet seals are 2 separate seals therefore high pressure will not extrude inner seal
- Ergonomic loop and ball handle for ease of operation and comfort
- Poppet nose seal is replaceable without removing coupler from service
- Coupler can be disassembled in 2-3 minutes for maintenance
- Viton seals are fitted as standard, other seal material to suit a range of applications is available upon request



## CVS110 CHECK VALVE



- Opens automatically when pump starts
- Controls pilferage of arm contents
- Allows coupler maintenance without draining arm

## SPECIFICATIONS

Maximum coupling/uncoupling pressure 550 kPa  
 Maximum operating pressure 1000 kPa  
 Maximum operating temperature -20 to +80 °C  
 Maximum testing pressure uncoupled 1500 kPa  
 Pressure to leak 2500 kPa  
 Ask for our operating and maintenance manual.

## DESIGN CODES

Designed and manufactured to conform to API RP 1004 and compatible with any adaptor manufactured in accordance with the same code.

Data Sheet & Maintenance Manual available on request.

## ASSOCIATED EQUIPMENT

Part Number	Description
API5KITZ	API Coupler service / O Ring kit
APIPA	Parking adaptor
PA XXX	Series of Parking Adaptors
LBV400Z	Butterfly Isolation Valve
API4XX	Series of Truck Adaptors
BF4-SG-XXZ	Series of 4" TTMA flanged Sight Glass
CVS110Z	Check / Isolation Valve
VSS4	API Coupler Spool
BF4-11	Spacer Flange
Velvet touch loading arm range	

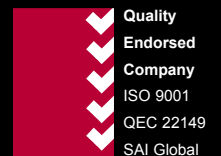
## DISTRIBUTED BY:

For More Details Contact Our Head Office  
 Or Your Liquip Distributor



13 Hume Road, Smithfield,  
 Sydney, NSW, Australia 2164  
 T: 61-2 9725 9000  
 F: 61-2 9725 1252  
 E: [export@liquip-nsw.com.au](mailto:export@liquip-nsw.com.au)

[www.liquip.com](http://www.liquip.com)



Part No. LCAT-API700.